



Press Release

June 7, 2018

ELLIOT LAKE – The City of Elliot Lake notifies all community members of imminent work being completed at the Elliot Lake Boat Launch. The City will be removing the boardwalk along the shoreline and preparing the area for a new boardwalk installation.

The boardwalk area of the Boat Launch will be closed to public use on June 11, 2018 and continue to be restricted until the boardwalk is completely removed and the shoreline safe for use by June 25, 2018. Access to the boat launch ramps, docks and parking will remain available for public use. The City asks that members of the public respect the barriers and do not use the area until reopened.

As part of a project to replace and enhance the Elliot Lake Boat Launch area, a fully accessible floating boardwalk is slated for installation mid-august. The boardwalk will include seating and lighting along with non-slip composite decking for improved accessibility. The City plans to ensure access to the shoreline is restored upon completion of the demolition, until the time the new boardwalk is installed. The new installation will be extended from the shoreline to provide increased access to the lake and opportunity for fishing.

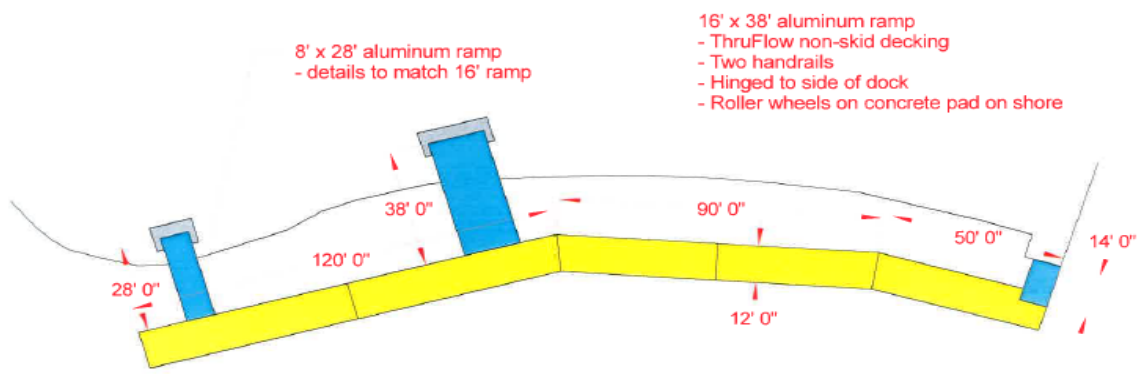
The new boardwalk is Phase 1 of the proposed Boat Launch project that is aimed at creating a tourism nodal point. Phase 2 of the project, contingent on funding, includes the installation of a 50-metre fishing pier, replacement boat launch docks, docking for additional boats, and landscaping.

- 30 -

Contact:

Ashten Vlahovich
Economic Development Coordinator
City of Elliot Lake
705-848-2287 ext 2134
avlahovich@city.elliottlake.on.ca

attachment: plan of launch and new boardwalks



8' x 28' aluminum ramp
- details to match 16' ramp

16' x 38' aluminum ramp
- ThruFlow non-skid decking
- Two handrails
- Hinged to side of dock
- Roller wheels on concrete pad on shore

8' x 14' aluminum ramp
- ThruFlow non-skid decking
- Handrail on right side only (descending)
- Hinged to end of existing crib
- Roller wheels on dock with aluminum wear plates

NOTES
 1. RELEASED
 2. THIS IS A COPY
 3. ALL DIMENSIONS SHOWN MUST BE TO THE CENTERLINE UNLESS OTHERWISE SPECIFIED
 4. ALL DIMENSIONS SHOWN ARE TO THE CENTERLINE UNLESS OTHERWISE SPECIFIED
 5. ALL DIMENSIONS SHOWN ARE TO THE CENTERLINE UNLESS OTHERWISE SPECIFIED
 6. ALL DIMENSIONS SHOWN ARE TO THE CENTERLINE UNLESS OTHERWISE SPECIFIED
 7. ALL DIMENSIONS SHOWN ARE TO THE CENTERLINE UNLESS OTHERWISE SPECIFIED
 8. ALL DIMENSIONS SHOWN ARE TO THE CENTERLINE UNLESS OTHERWISE SPECIFIED
 9. ALL DIMENSIONS SHOWN ARE TO THE CENTERLINE UNLESS OTHERWISE SPECIFIED
 10. ALL DIMENSIONS SHOWN ARE TO THE CENTERLINE UNLESS OTHERWISE SPECIFIED